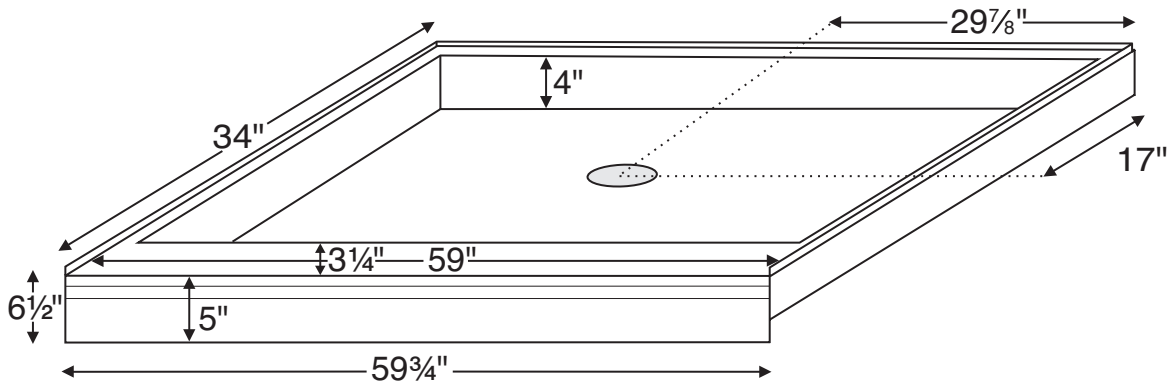


Reliance® Shower Bases

**R6034CD**

59.75" x 34" x 6.5"

Material - Acrylic  
 Shipping Weight - 130 lbs / 59 kg  
 Threshold - Multi Threshold  
 Drain Location - Center



**COLOR AND FINISH OPTIONS**

NOTE: Part codes for all options listed in parenthesis.

**Color Upgrade:** Biscuit (RCOLOR)

**STANDARD OPTIONS**

NOTE: Part codes for all options listed in parenthesis.

**PVC Drain Kit**

Brushed Nickel (RDKBN)

**IMPORTANT ORDERING & INSTALLATION INFORMATION:**

- Single, front threshold; 3.5" drain opening pre-drilled.
- Integral tile flange on 3 sides to facilitate installation.
- Textured bottom meets certification requirements for safer showering.
- Includes a PVC drain kit in chrome finish.
- 1-year Limited Residential and Commercial Warranty.

- Before discarding tub crate, check for accessories that may be packaged inside.
- All product measurements are ±1/2".
- Specifications and configurations are subject to change without notice.
- Measurements herein supersede all others published prior to publication date below.

ASTM F-462-1994 Certified

CSA # MTSB-6034

©2021 by MTI Baths, Inc. Modification Rights Reserved

**Reliance®**

Rev. 06 17 2021